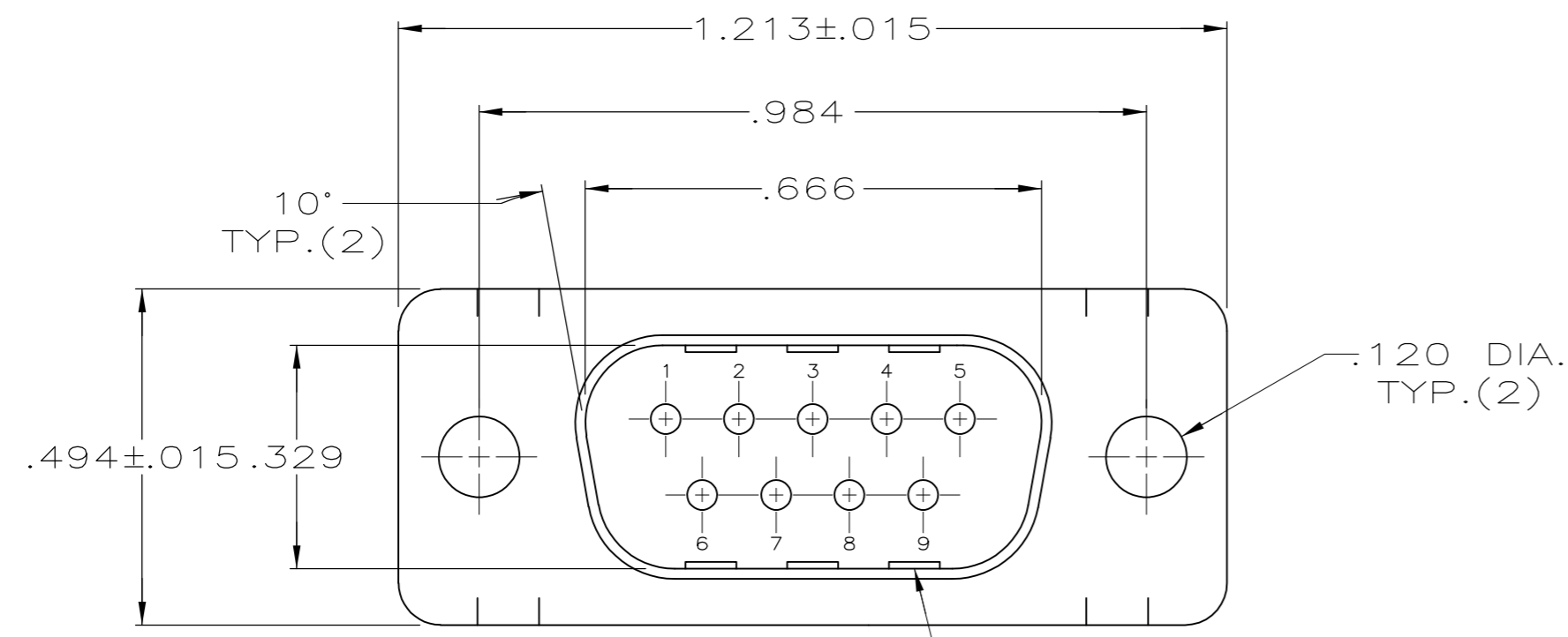
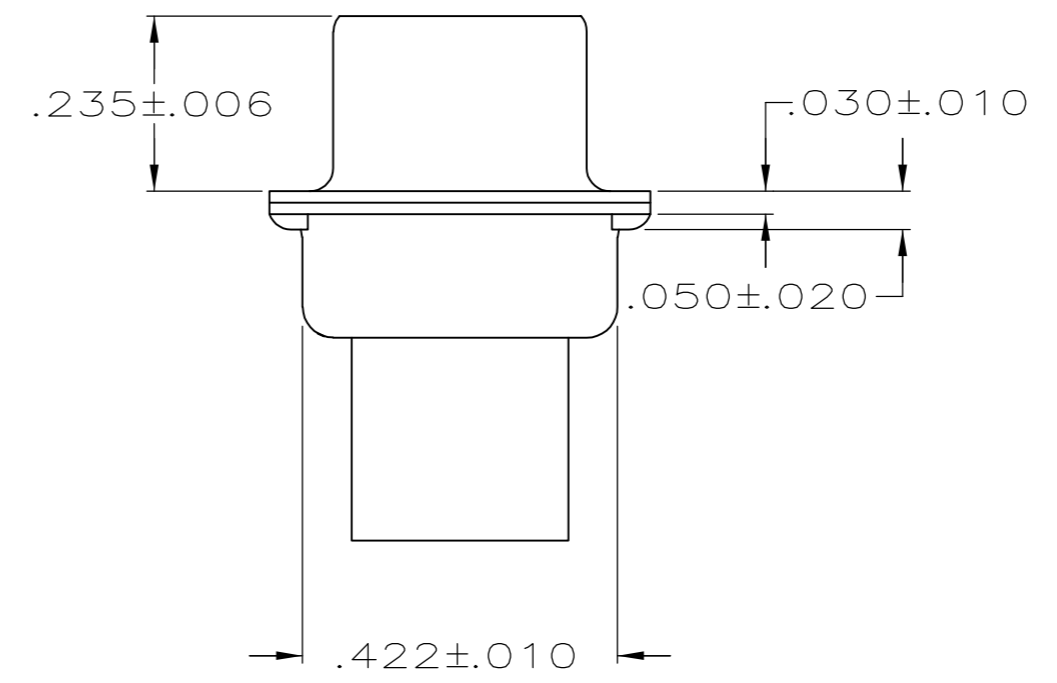
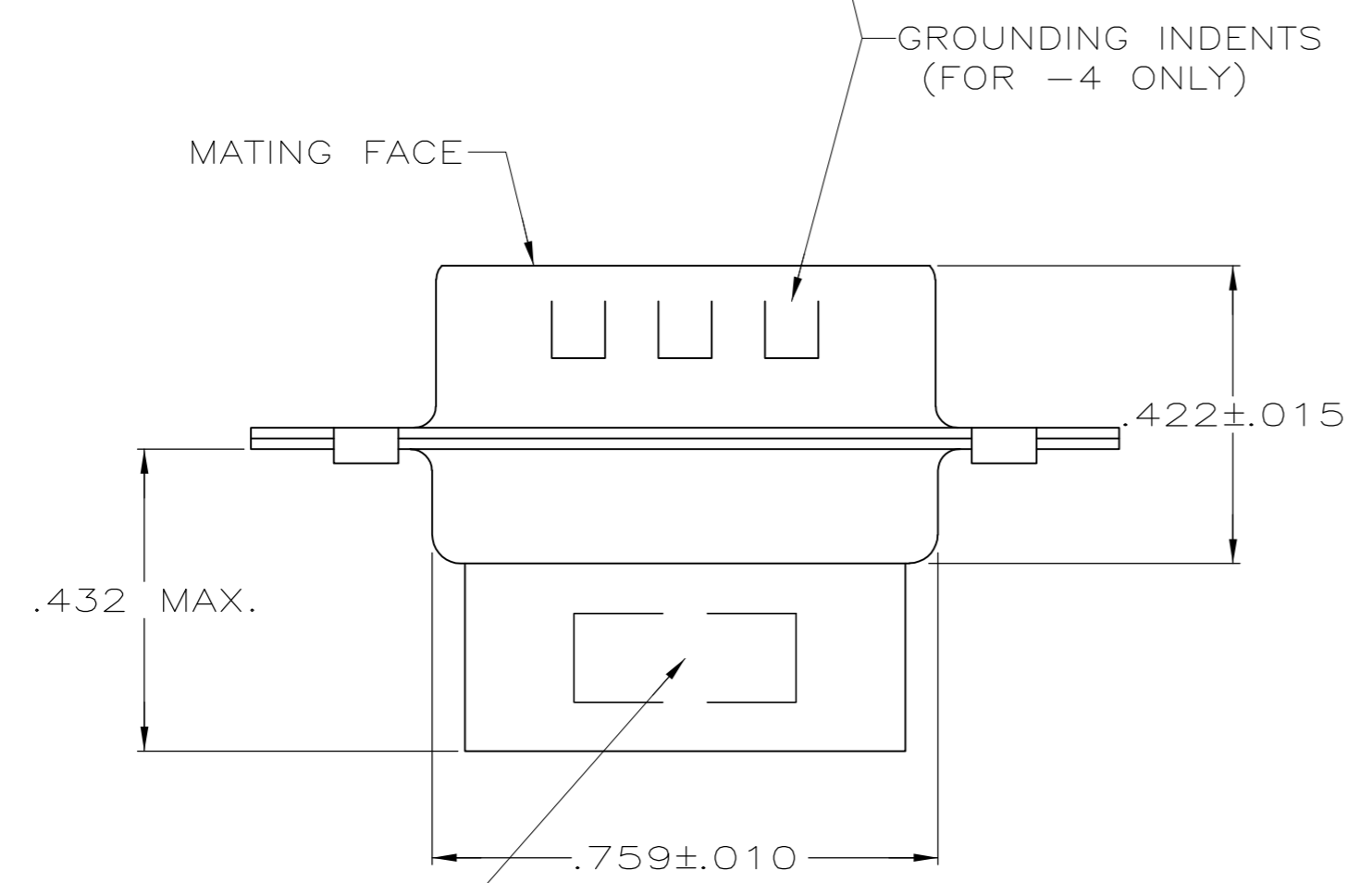


THIS DRAWING IS UNPUBLISHED. RELEASED FOR PUBLICATION
 © COPYRIGHT BY TYCO ELECTRONICS CORPORATION. ALL RIGHTS RESERVED.

LOC	DIST	REVISIONS			
P	LTR	DESCRIPTION	DATE	DWN	APVD
GP	00				
	K1	REVISED PER ECO-07-008164	27JUL07	JDP	CWR



- CONNECTOR ACCEPTS SIZE 20 DF PIN CONTACTS, RETENTION TINES ARE AN INTEGRAL PART OF INSERT.
- CONNECTOR COMPLIES WITH 108-40005 WHERE APPLICABLE.
- MOLDED PARTS: NYLON, FLAME RETARDANT, 94V-0 RATED, GLASS FILLED, BLACK.
- SHELLS: STEEL PER ASTM A109.
- ZINC PLATED PER ASTM B633; TYPE II; CLASS SC1; YELLOW CHROMATE.
- TIN OR TIN-LEAD PLATED OVER COPPER UNDERPLATE.
- CHROME PLATED.
- TIN PLATED OVER COPPER UNDERPLATE.
- ZINC PLATED .000200-.000400 THICK, YELLOW TRIVALENT CHROMIUM CHROMATE COATING.



PACKAGING TYPE	SHELL FINISH	GROUNDING INDENTS	PART NUMBER
SMALL PACK	9	NO	1-205204-0
STANDARD	9	NO	205204-9
STANDARD	8	NO	205204-8
SMALL PACK	5	NO	205204-7
STANDARD	8	YES	205204-4
OBSOLETE	6	NO	205204-3
OBSOLETE	7	NO	205204-2
OBSOLETE	5	NO	205204-1

THIS DRAWING IS A CONTROLLED DOCUMENT.		DWN S. WELDON 07/19/85	Tyco Electronics Corporation Harrisburg, PA 17105-3608	
DIMENSIONS: INCHES		CHK J. GERACE 07/29/85	NAME	
TOLERANCES UNLESS OTHERWISE SPECIFIED:		APVD	PLUG CONNECTOR, SIZE 1, 9 POS., AMPLIMITE HDP	
0 PLC ± -		PRODUCT SPEC	SIZE CAGE CODE DRAWING NO RESTRICTED TO	
1 PLC ± -		APPLICATION SPEC	A2 00779 C-205204	
2 PLC ± -		WEIGHT	SCALE NTS SHEET 1 OF 1 REV K1	
3 PLC ± .005		CUSTOMER DRAWING		
4 PLC ± -				
ANGLES ± -				
FINISH SHELLS: SEE TABLE				
MATERIAL SEE NOTES				

205204